

1U KVM switch with 15", 17" or 19" monitor, industrial keyboard and touchpad, available with 8 and 16 port.

15" LCD Monitor. (Optional 17" and 19" also available)

1U Rackmountable Unit

106 key keyboard and touchpad (optional trackball version)

Rail Lock Switch



## Introduction

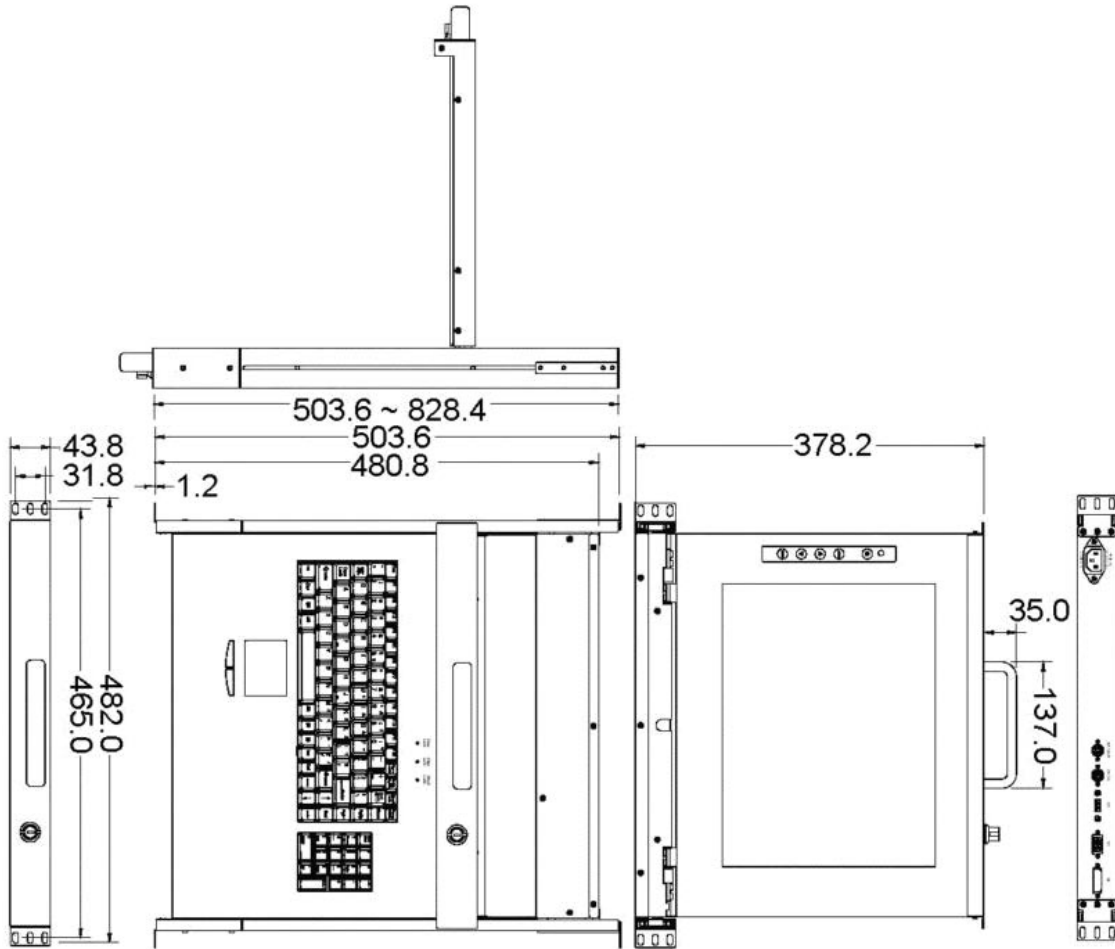
CYCLOPS-G Series is a series of 19" cost efficient 1U rackmountable KVM unit monitors and controls up to 16 computers (expandable to 128 computers), assists in efficient management of valuable space. The series provides options of 15", 17" or 19" LCD monitor. On Screen Display provides you with control over frequency, resolution, backlight luminance and brightness of the video display. Password function enables limited access to all the computers for extra security. The new additional features of this console includes the easy reachable rail-lock switch to avoid user's fingers from being clipped when pushing back the console and also new rail design that enables a single person to mount the console into the rack easily. Console that supports SUN systems is also available.

## Features

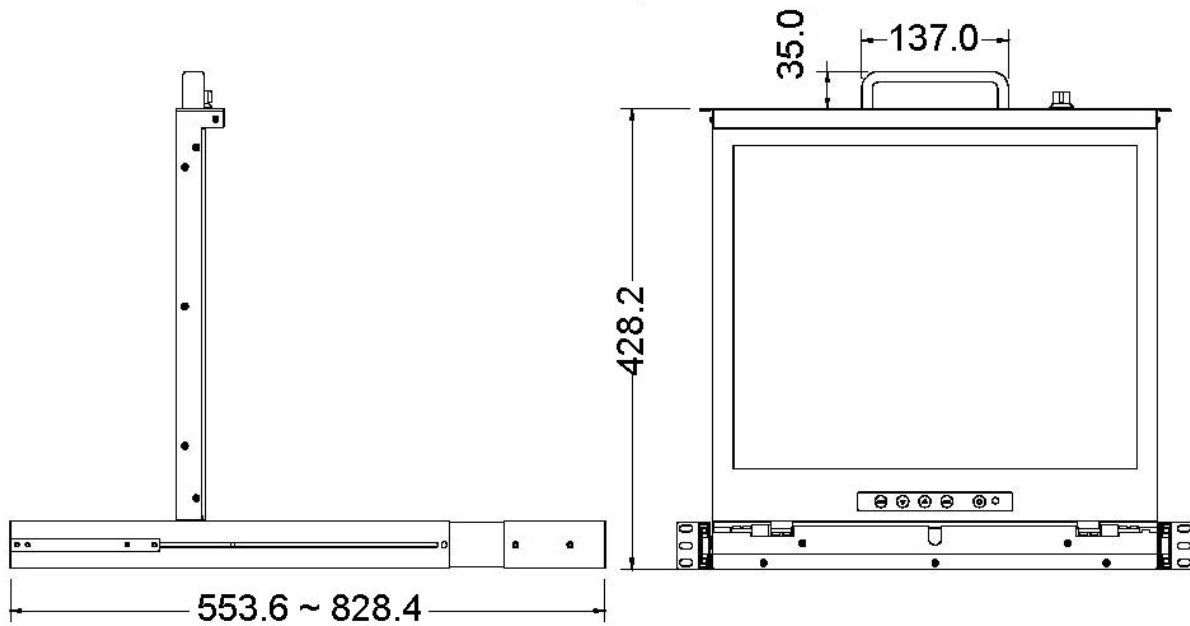
- 19" 1U rackmountable LCD/Keyboard drawer with 15" LCD, keyboard and touchpad or optional Cherry keyboard with trackball.
- 8 port or 16 port KVM
- Sun Systems 17" and 19" versions also available.
- On Screen Display to control frequency, resolution, backlight luminance and brightness of the video display.
- Rail-Lock Switch for maximum safety
- New rail design to enable single person to install the console into the rack.

# CYCLOPS-G Series

## Technical Drawings



**15"/17" Version**



**19" Version**

# CYCLOPS-G Series

## Construction

Heavy Duty Steel.

## Color

Black.

## Panel

15" LCD with 200 nit brightness, (Optional 17" and 19" versions).

## KVM Switch

DB15 type female connectors for connection (VGA, PS/2 keyboard and PS/2 mouse male connectors at the platform side) Port selection through hot keys, or On Screen Display. Cascading up to 128 systems. Password function for extra security. Eight port and Sixteen port versions also available.

## Keyboard and Mouse

106 keys industrial keyboard and touchpad or optional Cherry keyboard with integral industrial trackball. Keyboard for SUN systems also available.

## On Screen Control

Auto adjustment, brightness, contrast, phase, H-V position, frequency, size, and display mode. Automatic and Manual Scan mode.

## Security Lock

Front access lock for system security.

## Drawer Design

Full extension high load rating slide rail with rail-lock safety switch. Rail design enables single person do the installation.

## Dimensions

15"/17" versions: 482mm(W) x 503.6mm(D) x 43.8mm(H)/19" x 19.8" x 1.72'. Dimensions for the 19" version: 482mm(W) x 553.6mm(D) x 43.8mm(H)/19" x 21.8" x 1.72"

## Operating Temperatures

0~40 °C

## Gross Weight

17 kgs/37.4lbs for 15/17" versions.  
19 kgs/41.88lbs for 19" version.

## Ordering Information

CYCLOPS-G158	1U 8-Port KVM switch, 15"LCD, industrial keyboard and touchpad.
CYCLOPS-G158C	1U 8-Port KVM switch, 15"LCD, Cherry keyboard and Trackball.
CYCLOPS-G1516	1U 16-Port KVM switch, 15"LCD, industrial keyboard and touchpad.
CYCLOPS-G1516C	1U 16-Port KVM switch, 15"LCD, Cherry keyboard and Trackball.
CYCLOPS-G178	1U 8-Port KVM switch, 17"LCD, industrial keyboard and touchpad.
CYCLOPS-G178C	1U 8-Port KVM switch, 17"LCD, Cherry keyboard and Trackball.
CYCLOPS-G178SUN	1U 8-Port KVM switch, 17"LCD, SUN keyboard and touchpad.
CYCLOPS-G1716	1U 16-Port KVM switch, 17"LCD, industrial keyboard and touchpad.
CYCLOPS-G1716C	1U 16-Port KVM switch, 17"LCD, Cherry keyboard and Trackball.
CYCLOPS-G1716SUN	1U 16-Port KVM switch, 17"LCD, SUN keyboard and touchpad.
CYCLOPS-G198	1U 8-Port KVM switch, 19"LCD, industrial keyboard and touchpad.
CYCLOPS-G198C	1U 8-Port KVM switch, 19"LCD, Cherry keyboard and Trackball.
CYCLOPS-G198SUN	1U 8-Port KVM switch, 19"LCD, SUN keyboard and touchpad.
CYCLOPS-G1916	1U 16-Port KVM switch, 19"LCD, industrial keyboard and touchpad.
CYCLOPS-G1916C	1U 16-Port KVM switch, 19"LCD, Cherry keyboard and Trackball.
CYCLOPS-G1916SUN	1U 16-Port KVM switch, 19"LCD, SUN keyboard and touchpad.